

ENDESOL



Municipal and Industrial Sales and Service

OEM Manufacturer of Engineered Pump and Valve Systems

P: (270) 363-2234

F: (270) 298-7424

Physical: 981 W. 7th St. Beaver Dam, KY 42320 | Mailing: P.O. Box 27 Hartford, KY 42347 | engineered-ds.com



Vertical Turbine Pumps
Horizontal Split Case Pumps
Multi-Stage Pumps
End Suction Pumps
ANSI Pumps
Well Pumps
www.american-marsh.com



Engineered Industrial Control Panels
Custom Junction Boxes
Custom Enclosures
Control Panel Parts & Troubleshooting
www.bugaboocontrols.com



Self-Priming Pumps
Submersible Pumps
End Suction Pumps
Cutter Pumps
Solids Handling Pumps
Dry-Pit Pumps
www.cornellpump.com



Diaphragm Controls Valves
Pressure Reducing Valves
Electronic Control Valves
Solenoid Control Valves
Altitude Valves
Surge Relief Valves
Flow Control Valves
Air Valves
Check Valves
OEM Sales
www.cla-val.com



Access Hatches
Ladders
Hoists
Trash Baskets
www.hallidayproducts.com



Prefabricated Wet Well with Valve Vault
Prefabricated Valve Vaults
Prefabricated PRV and Meter Vaults
Wet Wells
Sanitary Manholes & Storm Water Structures
Custom Vaults
Cast In Place Construction



Magnetic Flow Meters
OEM Sales
www.badgermeter.com



Pressure Gauges
Diaphragm Seals
www.ashcroft.com



Complete Manhole Lining Systems
Custom Base and Wall Liners
H2S resistant Fiberglass Reinforced Plastic (FRP)/
Polypropylene (PPR)
Self Cleaning Wet Well Base
www.predlsystems.com



Grinder Pumps
• Centrifugal, Progressive Cavity, Slicer (2 HP - 15 HP)
Solids Handling Pumps (Non-Clog Pumps)
• 3" - 16" Discharge (2 HP - 150 HP)
Dry-Pit Solids Handling Pumps
Effluent Pumps
Custom Fiberglass Basin Pump Stations
• Simplex thru Triplex (24" Diam. - 120" Diam.)
Rail Systems, Pump Bases, Float Switches, Brackets, SS Chain
Low Pressure Sewer Design & Analysis
www.keenpump.com



Access Hatches
Ladders
Vented & Expanded Metal Pedestals
Hoists
Trash Baskets
Custom Fabrication
www.usffab.com



AWWA & Industrial Valves
Gate Valves
Check Valves
Plug Valves
Butterfly Valves
Ball Valves
Electric Actuators & Operators
Floor Stands
www.vsiwaterworks.com



Submersible Pressure Transducers
Instrumentation for Level Controls
www.kelleramerica.com



Vertical Multistage Pumps
Custom Package Pump Skids
us.grundfos.com



Cast Iron Castings
Commercial & Industrial Castings
Drainage Castings
Transportation Castings
Custom Capabilities
www.jrhoe.com



Butterfly Valves
Gate Valves
Plug Valves
Check Valves
Knife Gate Valves
Motor Actuators
www.henrypratt.com



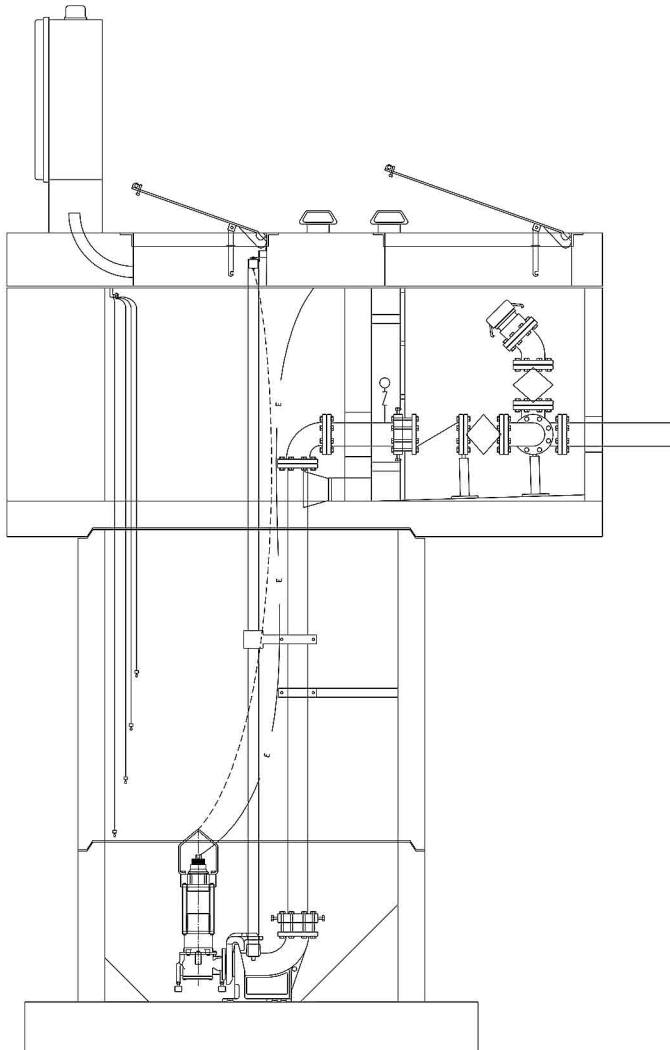
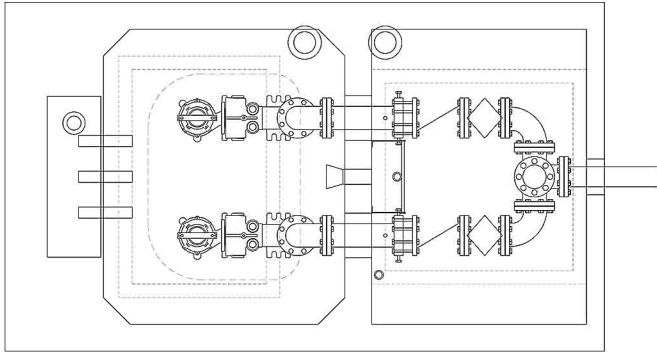
Monitoring & Alarming
Data Collection
Offsite Control
Cellular Based - Verizon or AT&T
Custom HMI Programming
Low Cost SCADA
Lift Stations, Booster Stations, Tanks
www.engineered-ds.com



Heavy Duty Dewatering Pumps
Heavy Duty Solids Handling Pumps
Commercial Oil Minder
Custom Control Panels
www.stancorpumps.com

Water & Wastewater Pumps • Controls • Valves • Meters • Telemetry • Installation & Onsite Services • Electrical/SCADA Services

ENDESOL Combined Lift Station with Integral Valve Vault



ENDESOL Break Tank Pump Skid



ENDESOL Floating Pump Skid

